

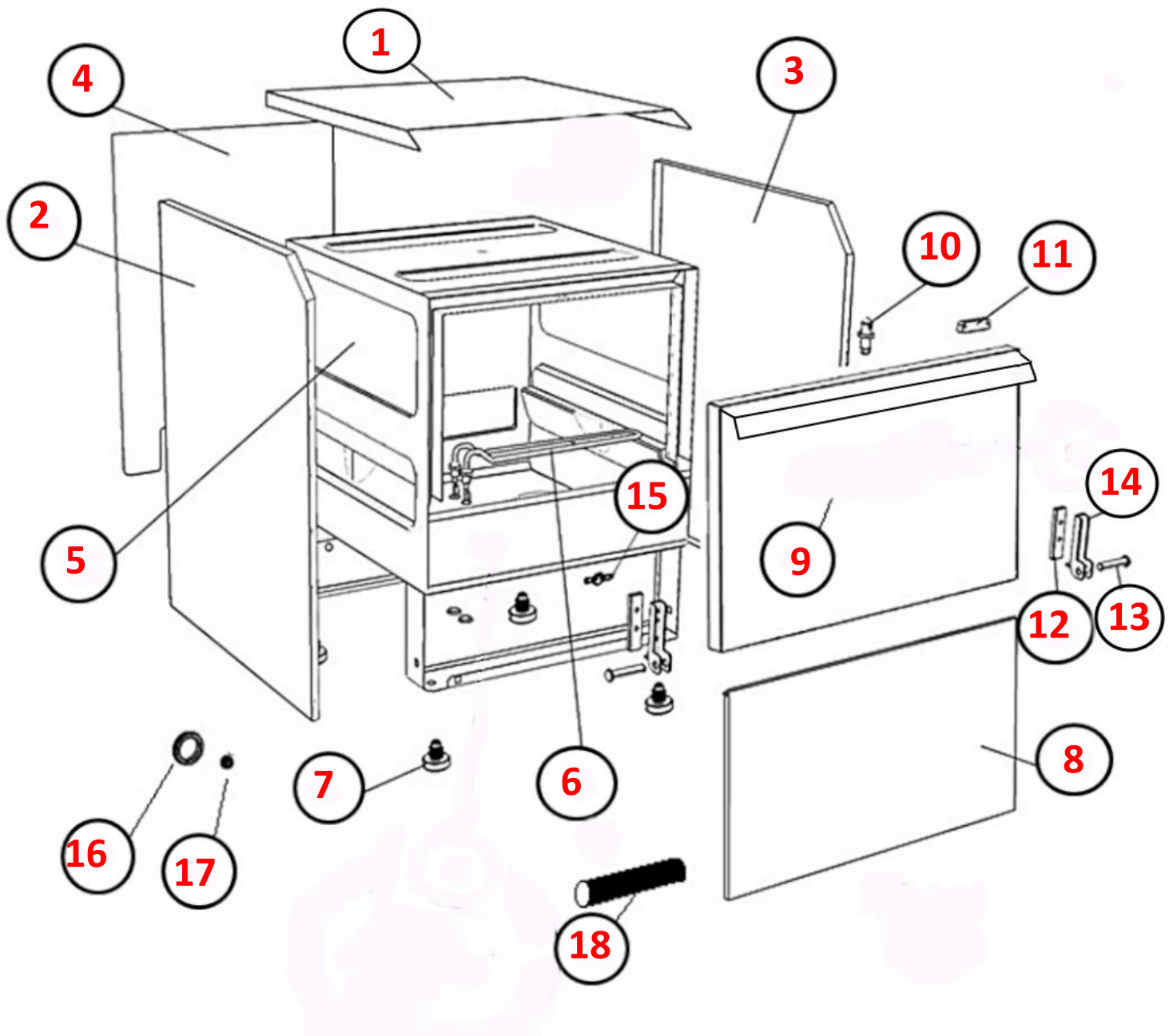
GGW1035SW

| CODE | DESCRIPTION | DESCRIPTION | QTA |
|------|-------------|---------------|-----|
| P1 | PANNELLERIA | FRAME | 1 |
| P2 | RISCIACQUO | RINSE | 1 |
| P3 | LAVAGGIO | WASH | 1 |
| P4 | GIRANTI | ARMS | 1 |
| P5 | CABLAGGIO | WIRING | 1 |
| P6 | DOSATORE | CHEMICAL PUMP | 1 |



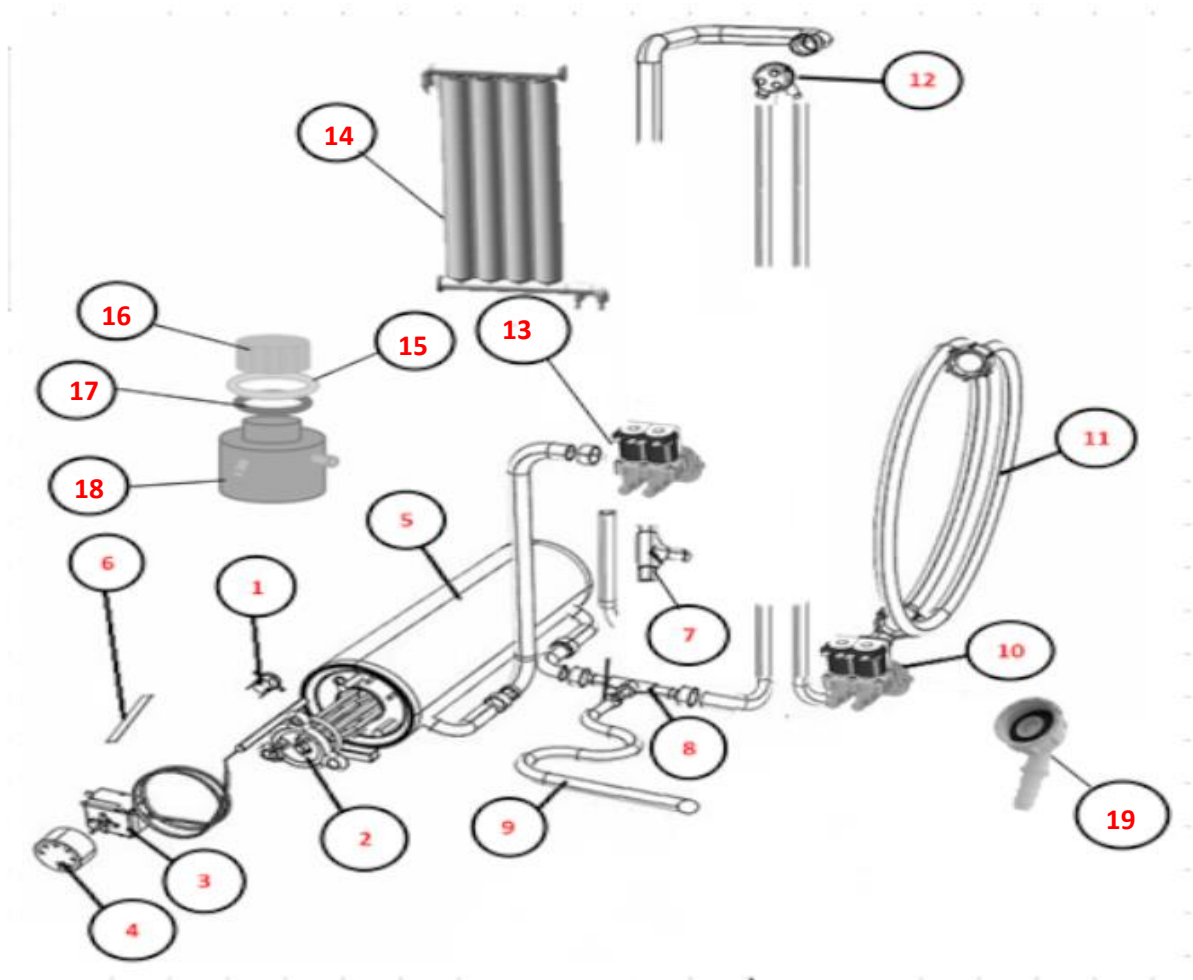
| POS | CODE | DESCRIZIONE | DESCRIPTION | NR |
|-----|--------|---------------------------------------|--|----|
| 1 | 902464 | PANNELLO SUPERIORE S18-S021 IMPERIAL | UPPER PANEL S18-S021 IMPERIAL | 1 |
| 2 | 902516 | PANNELLO LATERALE S025 SX IMPERIAL | SIDE PANEL S025 LH IMPERIAL | 1 |
| 3 | 902471 | PANNELLO LATERALE S025 DX IMPERIAL | SIDE PANEL S025 RH IMPERIAL | 1 |
| 4 | 902180 | PANNELLO POSTERIORE S23-S025 IMPERIAL | BACK PANEL S23-S025 IMPERIAL | 1 |
| 5 | 901853 | VASCA + BASAMENTO S025A | TANK + STAND S025A | 1 |
| 6 | 905771 | RESIST. VASCA 1.6KW 230V | TANK HEATING ELEMENT 1.6KW 230V | 1 |
| 7 | 905000 | PIEDINO LAVAGGIO PVC NEW | FEET, WASH PVC NEW | 4 |
| 8 | 902457 | PANNELLO INFERIORE S18-S021 IMPERIAL | LOWER PANEL S18-S021 IMPERIAL | 1 |
| 9 | 908529 | PORTA S23-S025 CON M.I. 08/10 | DOOR S23-S025 WITH HANDLE INOX 08/10 | 1 |
| 10 | 906121 | SCROCCHETTO CON ROTELLA + DADO | LATCH WITH WHEEL + NUT | 1 |
| 11 | 903651 | MAGNETE + CUSTODIA FRONTALI | MAGNET + CONTAINER DISHWASHER | 1 |
| 12 | 909920 | RINFORZO PORTA FILETTATO | THREADED SUPPORT PLATE FOR DOOR | 2 |
| 13 | 904795 | PERNO PORTA | DOOR PIVOT | 2 |
| 14 | 901245 | CERNIERA PORTA SERIE S-N-E | DOOR HINGE MODEL S-N-E | 2 |
| 15 | 907244 | TERMOSTATO VASCA 55° PASTIGLIA | TANK THERMOSTAT 55° PADDLE | 1 |
| 16 | 904721 | PASSACAVO TUBO SCARICO LAVAGGIO | CABLE BUSHING DRAIN HOSE | 1 |
| 17 | 904723 | PASSACAVO TUBO BRILL./DET. | CABLE BUSHING RINSE PRODUCT/DETERGENT HOSE | 1 |
| 18 | 904958 | PROT. RESISTENZA VASCA IN SILICONE | TANK-HEATING ELEMENT PROTECTION SILICONE | 2 |





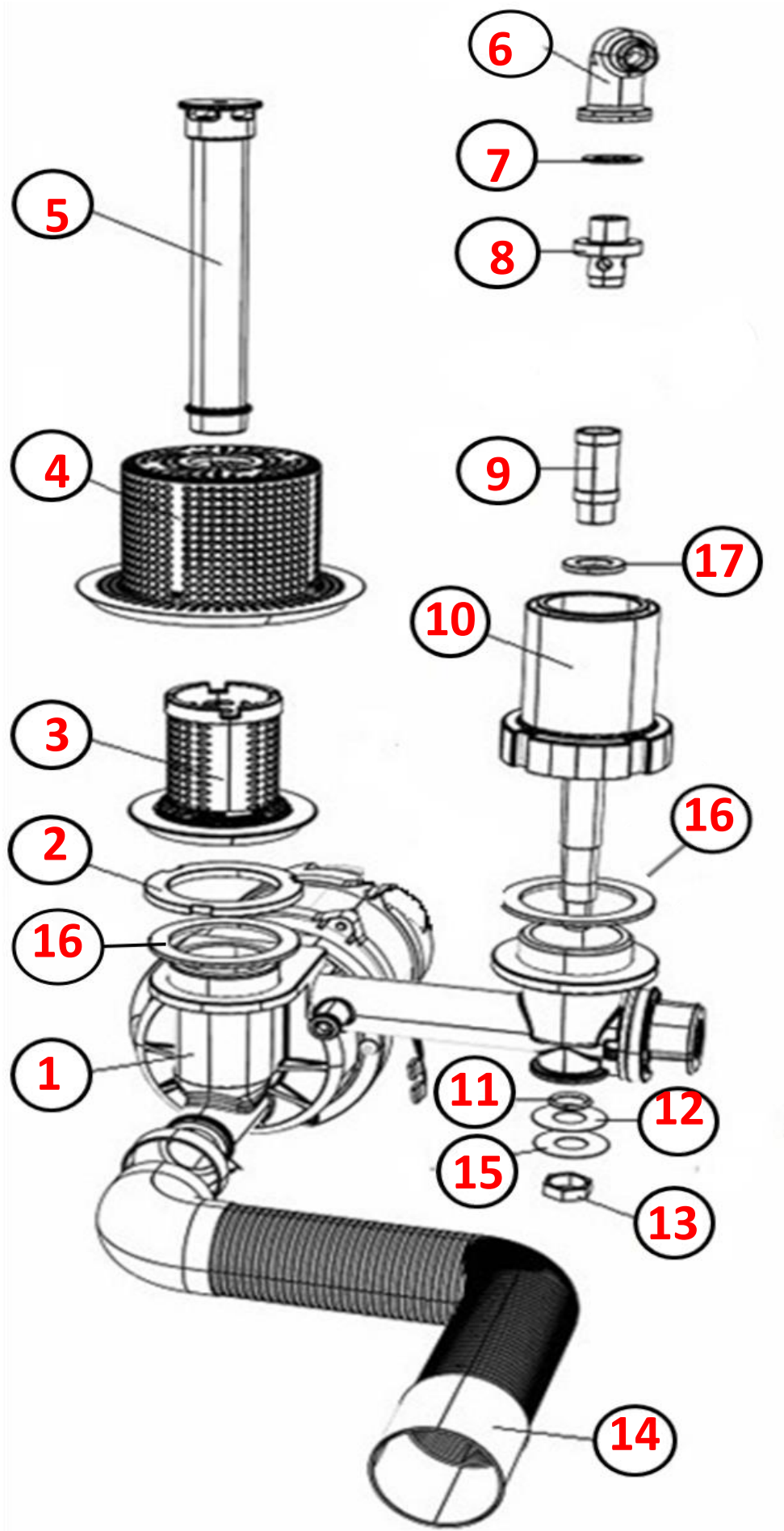
| POS | CODE | DESCRIZIONE | DESCRIPTION | NR |
|-----|--------|---|--|----|
| 1 | 907297 | TERMOSTATO SICUR. 110° PASTIGLIA | SAFETY THERMOSTAT 110° PADDLE | 1 |
| 2 | 905496 | RESIST. BOILER 2.6KW 230V +OR | BOILER HEATING ELEMENT 2.6KW 230V +OR | 1 |
| 3 | TR0440 | TERMOSTATO BOILER 0/90 LAVASTOVIGLIE | THERMOSTAT BOILER 0/90 DISHWASHER | 1 |
| 4 | 903982 | MANOPOLA TERMOSTATO 0/90° | THERMOSTAT KNOB 0/90° | 1 |
| 5 | 900352 | BOILER E35-E40-E40H-E40HL+RES.2.6KW Ø105 | BOILER E35-E40-E40H-E40HL+RES.2.6KW Ø105 | 1 |
| 6 | 904075 | LAMELLA OTTONE | BRASS PLATE | 1 |
| 7 | 901496 | RACC. 3 VIE Ø12 - Ø10 - Ø10 | THREE-WAY CONNECTION Ø12 - Ø10 - Ø10 | 1 |
| 8 | 905073 | RACC. 3 VIE Ø12 - Ø10 - Ø6 | THREE-WAY CONNECTION Ø12 - Ø10 - Ø6 | 1 |
| 9 | 907279 | TUBO SILICONE 4X7 | SILICONE HOSE 4X7 | 1 |
| 10 | 902401 | ELETTROV. 2 VIE Ø10 CON RIDUTTORE ROSSO | 2-WAYS SOLENOID VALVE Ø10 WITH RED REDUCER | 1 |
| 11 | 907348 | TUBO CARICO 90° 1500MM S 800 HW | WATER LOAD HOSE 90° 1500MM S 800 HW | 1 |
| 12 | TR2433 | VALVOLA ANTIRITORNO | NON-RETURN VALVE | 1 |
| 13 | 907470 | ELETTROVALVOLA 2 VIE EBI SENZA FILTRO SEQUENZIALE | EBI 2-WAY SOLENOID VALVE WITHOUT SEQUENTIAL FILTER | 1 |
| 14 | 902150 | DECALCIFICATORE | SOFTENER | 1 |
| 15 | 902830 | GHIERA CONTENITORE SALE | FERRULE, SALT CONTAINER | 1 |
| 16 | 906418 | TAPPO CONTENITORE SALE | SALT-CONTAINER CAP | 1 |
| 17 | 903340 | GUARN. CONTENITORE SALE | SALT CONTAINER GASKET | 1 |
| 18 | 901794 | CONTENITORE SALE CON SENSORE COMPLETO | COMPLETE SALT CONTAINER WITH SENSOR | 1 |
| 19 | 907427 | RACC. 90° TUBO CARICO | 90° CHARGING HOSE | 1 |





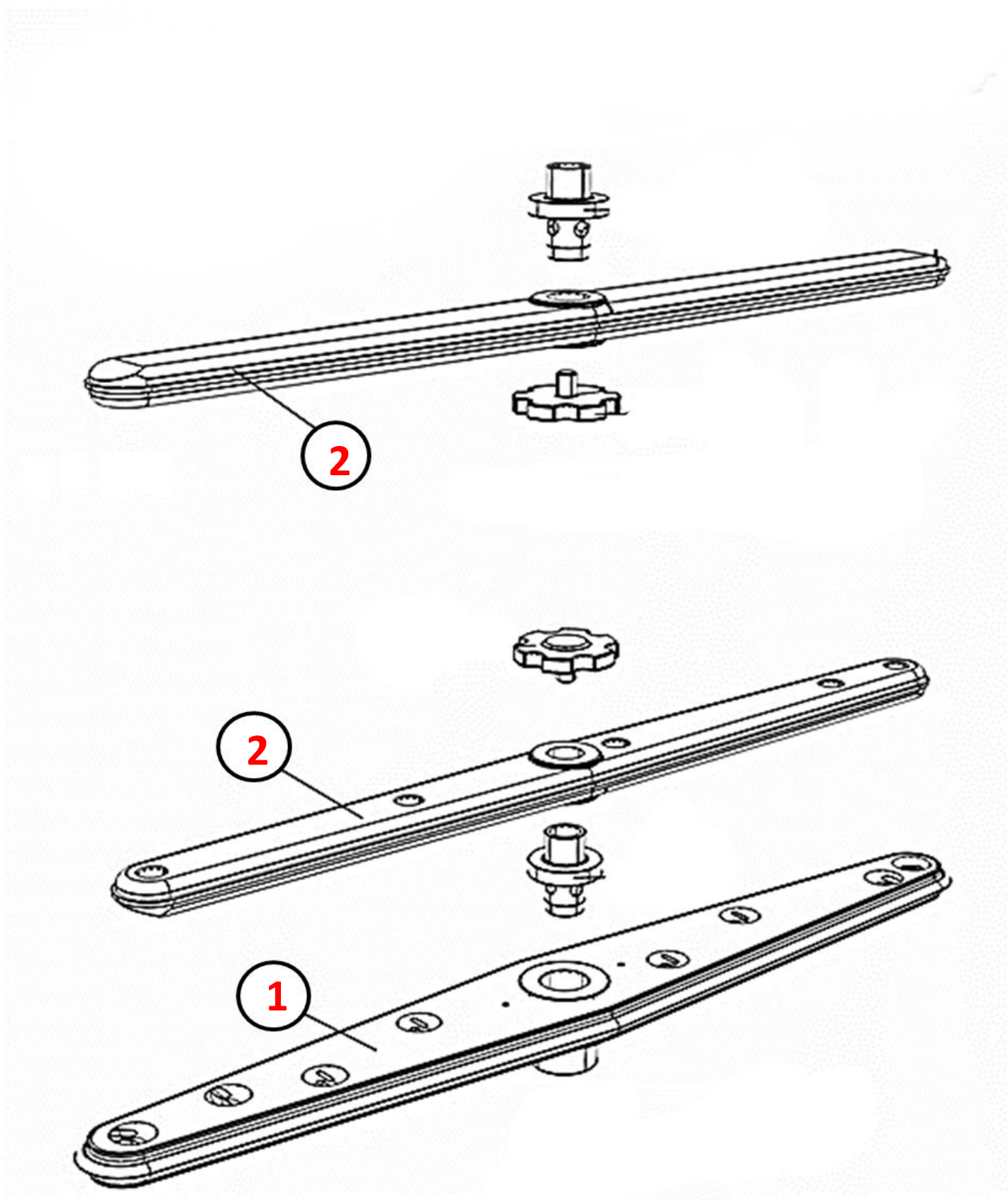
| POS | CODE | DESCRIZIONE | DESCRIPTION | NR |
|-----|--------|--|--|----|
| 1 | 902258 | POMPA 0.17KW 230/1/50 SERIE S GIS | PUMP 0.17KW 230/1/50 MODEL S GIS | 1 |
| 2 | 902133 | GHIERA INOX 1" 1/2 POMPA SERIE S/E | STAINLESS-STEEL FERRULE 1" 1/2, PUMP MODEL S/E | 1 |
| 3 | 902271 | FILTRO FILETTATO CORPO POMPA SERIE S/E | THREADED FILTER PUMP MODEL S/E | 1 |
| 4 | 902273 | FILTRO ASPIRAZIONE SERIE S/E | ASPIRATION FILTER MODEL S/E | 1 |
| 5 | 902276 | TROPPO PIENO H159 SERIE S/E | OVERFLOW CAP H159 MODEL S/E | 1 |
| 6 | 908100 | RACC. GOMITO 1/4" + RACC. D.10 | ELBOW CONNECTION 1/4" + CONNECTION D.10 | 1 |
| 7 | 903351 | GUARN. FIBRA RACC. RISC. SUP. | FIBRE GASKET UPPER RINSE JUNCTION | 2 |
| 8 | 908771 | PERNO GIRANTE RISC. PIATTA PPL E INOX | PIVOT FLAT RINSE ARM (POLYPROPYLENE AND STAINLESS STEEL) | 1 |
| 9 | 904765 | PERNO GIRANTE LAV. SUP. INF. 32MM | UPPER/LOWER PIVOT WASH ARM 32MM | 1 |
| 10 | 902268 | MOZZO INF. LAV. RISC. SERIE S/E | LOWER WASH/RINSE HUB MODEL S/E | 1 |
| 11 | 906222 | OR VALVOLA ANTIRIFLUSSO_RISCIACQUO | OR NON RELIEF VALVE RINSE | 1 |
| 12 | 903303 | GUARN. RISCIACQUO POMPA SERIE S/E | RINSE-PUMP GASKET MODEL S/E | 1 |
| 13 | 904534 | DADO ES.17 1/4 INOX | STAINLESS-STEEL NUT ES.17 1/4 | 1 |
| 14 | 907440 | TUBO SCARICO Ø24 1500MM | DRAIN HOSE Ø24 1500MM | 1 |
| 15 | 906004 | RONDELLA Ø30X13.5X0.8 ROMPIGETTO | WASHER Ø30X13.5X0.8 FAUCET AERATOR | 1 |
| 16 | 903301 | GUARN. MOZZO GIRANTI SP.3 | ARM-HUB GASKET SP.3 | 2 |
| 17 | 906061 | RONDELLA Ø 12 P. | WASHER Ø 12 P. | 1 |





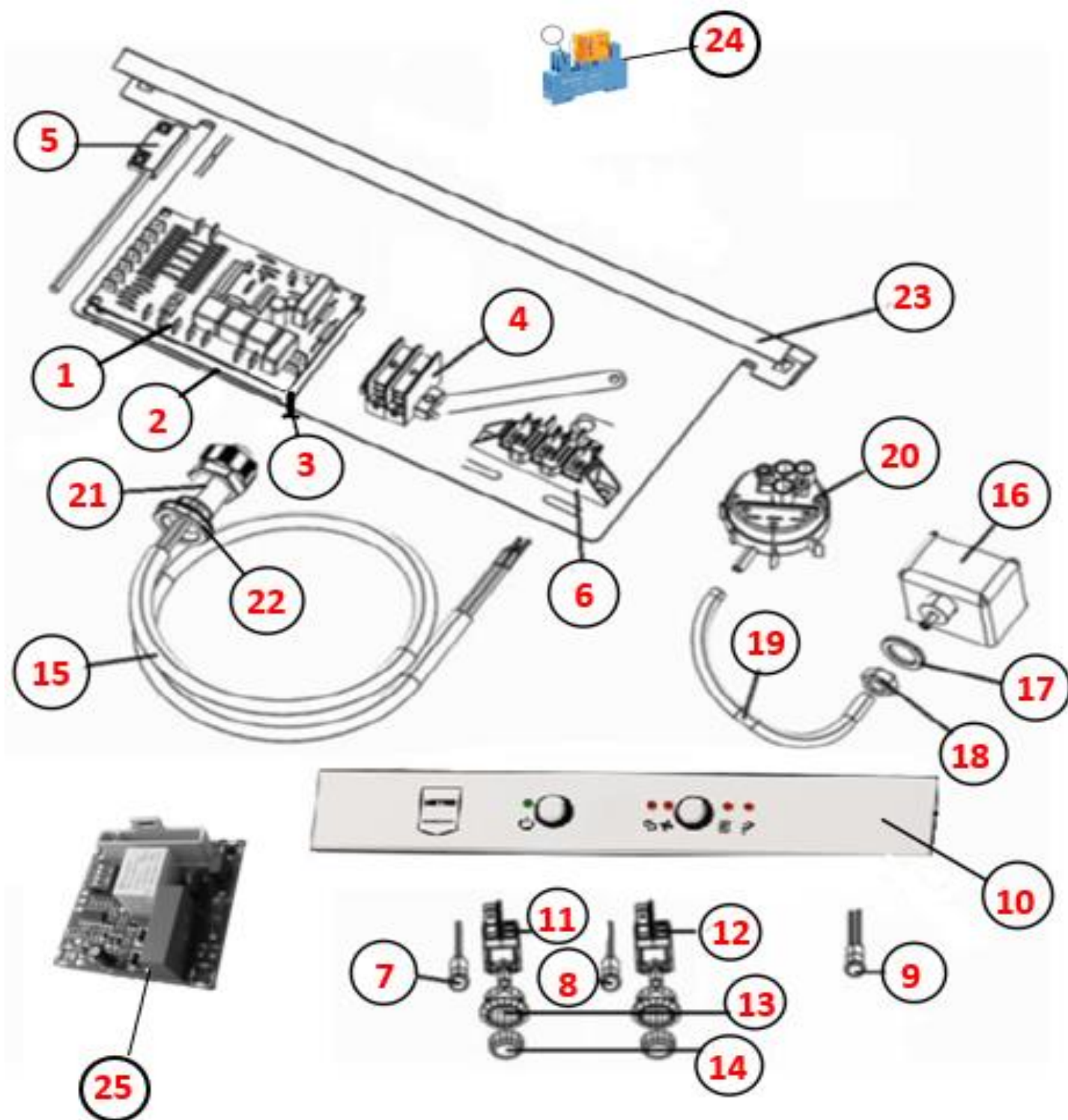
| POS | CODE | DESCRIZIONE | DESCRIPTION | NR |
|-----|------------|----------------------------|------------------------------|----|
| 1 | 903104 | GIRANTE LAV.1 CON MOZZO | WASH ARM 1 WITH HUB | 1 |
| 2 | 907955.201 | GRUPPO GIRANTE RISC. 1 PPL | HEATING IMPELLER GROUP 1 PPL | 2 |





| POS | CODE | DESCRIZIONE | DESCRIPTION | NR |
|-----|--------|---|--|----|
| 1 | 907169 | SCHEDA TRONIC CLONE ELCA | TRONIC BOARD CLONE ELCA | 1 |
| 2 | 903623 | ISOLATORE SCHEDE 907169 | BOARD INSULATOR 907169 | 1 |
| 3 | 902193 | DISTANZIALE TIMER ELETTRONICO | ELECTRONIC TIMER SPACER | 4 |
| 4 | 904164 | MORSETTO TRIPOLARE CON SPALLA | 3-POLE CLAMP WITH BRACKET | 1 |
| 5 | 909290 | REED MAGNETICO LAVASTOVIGLIE | MAGNETIC REED WAREWASHER | 1 |
| 6 | 904140 | MORSETTIERA 3 POLI | TERMINAL BOX 3 POLES | 1 |
| 7 | 903688 | LAMP. SPIA Ø 6 VERDE+CAVI | GREEN WARNING LIGHT Ø 6 + CABLES | 1 |
| 8 | 903686 | LAMP. SPIA Ø 6 ARANCIO+CAVI CICLO_DEP. | ORANGE WARNING LIGHT Ø 6 +CABLES | 2 |
| 9 | 903687 | LAMP. SPIA Ø 6 ARANCIO+CAVI | ORANGE WARNING LIGHT Ø 6 + CABLES | 1 |
| 10 | 902291 | TARGA S025A METRO PROFESSIONAL | PLATE S025A METRO PROFESSIONAL | 1 |
| 11 | 905314 | INTERRUTTORE/DEVIATORE 6 FASTON INCLIN. | SWITCH/DIVERTER 6 INCLINED FASTONS | 1 |
| 12 | 905313 | PULS. 6 FASTON INCLINATO | 6-INCLINED-FASTON BUTTON | 1 |
| 13 | 905345 | SUPP. PULS. TONDO Ø25 NERO | ROUND-BUTTON SUPPORT Ø25 BLACK | 2 |
| 14 | 905323 | TASTO TONDO Ø25 GRIGIO GOFFRATO | ROUND BUTTEN Ø25 MATT GRAY | 2 |
| 15 | 908130 | CAVO ALIMENTAZ. 3X2.5X3000 SPINA SCUKO | POWER-SOURCE CABLE 3X2.5X3000 SHUKO PLUG | 1 |
| 16 | 905266 | TRAPPOLA ARIA 45MM GRIGIO NEW | AIR TRAP 45MM GREY NEW | 1 |
| 17 | 903263 | GUARN. M12 TR.ARIA | GASKET M12 AIR TRAP | 1 |
| 18 | 902038 | DADO M12 PPL | NUT M12 PPL | 1 |
| 19 | 907455 | TUBO PRESSOSTATO 5X8 PVC NERO | PRESSURE SWITCH TUBE 5X8 PVC BLACK | 1 |
| 20 | 905270 | PRESSOSTATO 20/40 | PRESSURE SWITCH 20/40 | 1 |
| 21 | 902683 | PRESSACAVO PG16 | CABLE GLAD PG16 | 1 |
| 22 | 902677 | GHIERA PRESSACAVO PG16 | FERRULE CAGLE GLAND PG16 | 1 |
| 23 | 902535 | RETROT. S021-S025 METRO IMPERIAL | BACKPLATE METRO IMPERIAL S021-S025 | 1 |
| 24 | 905478 | RELE MICRO PORTA TIMER MECCANICO 2014 | MICRO RELAY MECHANICAL TIMER DOOR | 1 |
| 25 | 907460 | SCHEDA RISCIAQUO SEQUENZIALE | SEQUENTIAL RINSE MAIN BORD | 1 |





| POS | CODE | DESCRIZIONE | DESCRIPTION | NR |
|-----|--------|--|---|-------------|
| 1 | 902062 | DOSATORE BRILL. PERIST. SEKO TEMPORIZZATO | PERISTALTIC RINSE-PRODUCT PUMP WITH REGULATOR | 1 |
| 2 | 907456 | PESO INOX 190mm TUBETTO BRILLANTANTE/DETERSIVO | STAINLESS STEEL WEIGHT TUBE RINSE AID DETERGENT 190mm | 1 |
| 3 | 907278 | TUBO CRYSTAL ROSSO 4X6 | TRASPARENT-RED HOSE 4X6 | 0,50 MT. |
| 4 | 907279 | TUBO SILICONE 4X7 | SILICONE HOSE 4X7 | 0,50 mt. |
| 5 | 902569 | FILTRO DOSATORE | DOSING UNIT FILTER | 1 |



